

151DH-13.8-ON

280 Watt, non isolated, single output buck converter
All parameters defined on Ta=25°C, IoNom = 20.0 ADC and UiNom = 48VDC

ABSOLUTE MAXIMUM RATINGS

| parameter | unit | typ |
|---|------|-------|
| Input peak voltage | VDC | 63.00 |
| Feedback protection against overvoltage on the output | VDC | 16 |
| Output overvoltage protection | VDC | 15.6 |
| Typical reverse leakage current in standby-mode | mA | 1 |

THERMAL CHARACTERISTICS

| parameter | min to max | typ |
|--|---------------|--------|
| Ambient temperature range | -40°C / +85°C | |
| Max. case temperature for thermal shut down [°C] | | +90°C |
| Storage temperature [device not in operation] | -10°C / +65°C | |
| Relative maximum humidity under storage | | 75% RH |
| Storage under worst conditions [in days] | | 25 |

COMMUNICATION INTERFACE

| parameter | unit | fulfilled | conditions | min to max |
|--|------|-----------|------------|--------------|
| Option Enable [connect to Vin for operation] | | ✓ | | |
| Enable voltage for transformer | VDC | | IoNom | 16.0 to 63.0 |

SPECIALS

| parameter | unit | fulfilled | conditions | typ |
|---|------|-----------|---------------|-----------|
| Switching frequency | kHz | | | 130 |
| Efficiency at light loads | % | | 0.25IoNom | 95.00 |
| Efficiency at medium loads | % | | 0.5IoNom | 95.00 |
| Efficiency at full loads | % | | IoNom | 93.00 |
| MTTF | h | | SN29500 @ 70° | 1 000 000 |
| For active loads or parallel connection | | ✓ | | |
| Drives high capacitive loads | | ✓ | | |
| CC/CV battery load characteristic | | ✓ | | |
| Insulation strength primary to case | VDC | | | 1500 |

COMPLIANCE

| parameter | fulfilled | notes |
|---|-----------|-------------|
| 61000-6-2 [EMC-Immunity standard for industrial environment] | ✓ | |
| 61000-4-2 [immunity against ESD-electrostatic discharge] | ✓ | |
| 61000-4-3 [immunity High frequency electromagnetic fields] | ✓ | up to 50V/m |
| 61000-4-4 [immunity against burst - electrical fast transients] | ✓ | |
| 61000-4-5 [immunity against surge - high energy surges] | ✓ | |
| 61000-4-6 [immunity against induced, conducted disturbances] | ✓ | |

All technical and general information is provided in all conscience. However, completeness and accuracy cannot be guaranteed. Demke recommends to fully test the product in its determined application. Due to permanent improvements to our products, we reserve the right to change specifications at any time and without prior notification and without obligation to update products already supplied. This is a component for professional equipment manufacturers. Read the safety and installation instruction for proper use. Safety aspect and EMC-aspect must be considered in the end application.

151DH-13.8-0N

280 Watt, non isolated, single output buck converter

| | |
|--|---|
| 61000-6-4 (EMC - Emission standard for industrial environment) | ✓ |
| 55022<A | ✓ |

All technical and general information is provided in all conscience. However, completeness and accuracy cannot be guaranteed. Demke recommends to fully test the product in its determined application. Due to permanent improvements to our products, we reserve the right to change specifications at any time and without prior notification and without obligation to update products already supplied. This is a component for professional equipment manufacturers. Read the safety and installation instruction for proper use. Safety aspect and EMC-aspect must be considered in the end application.

151DH-13.8-ON

280 Watt, non isolated, single output buck converter

INPUT

| parameter | unit | conditions | min | typ | max |
|--|-------------------|-------------|-----|------|-----|
| Input voltage range | VDC | IoNom | 17 | 48 | 58 |
| No load input current | mA | UiNom | | 28 | |
| Max. input current | A | UiNom | | 18 | |
| Input start up voltage | VDC | UiNom | | 16.6 | |
| Undervoltage lockout | VDC | UiNom | | 14.6 | |
| Input quiescent current in shutdown mode | mA | UiNom | | 0.30 | |
| Generated AC-ripple on the supply [BW=20MHz] | mVp-p | UiNom/IoNom | | 30 | |
| Generated HF-noise on the supply [BW=20MHz] | mVp-p | UiNom/IoNom | | 330 | |
| Reflected input ripple current | mA _{p-p} | UiNom/IoNom | | 40 | |

OUTPUT

| parameter | unit | conditions | min | typ | max |
|--|-------|-------------|-----|------------|-----|
| Output voltage | VDC | IoNom | | 13.8 | |
| Minimum required load to obtain the specified output voltage | % | UiNom | | 0 | |
| Generated AC-ripple on the output [BW=20MHz] | mVp-p | UiNom/IoNom | | 20 | |
| Generated HF-noise on the output [BW=20MHz] | mVp-p | UiNom/IoNom | | 200 | |
| Output voltage accuracy | % | IoNom | | +/-2.00% | |
| Output voltage overshoot at initial switch-on | % | IoNom | | overdamped | |
| Rated output power | W | | | 280 | |

CONTROL

| parameter | unit | conditions | min | typ | max |
|---|------|---------------------|-----|----------|-----|
| Static line regulation | % | IoNom/UiMin...UiMax | | 0.10 | |
| Static load regulation | % | IoMin...IoMax/UiNom | | 0.2 | |
| Dynamic load change adjusting time | ms | LoadChange 10...90% | | 0.50 | |
| Dynamic load change deviation to nominal output voltage | V | LoadChange 10...90% | | 1.50 | |
| Maximum admissible capacitive load | uF | IoNom | | infinite | |
| Initial switch on time | ms | IoNom | | 50 | |
| Softstart ramp up time | ms | IoNom | | 30 | |

All technical and general information is provided in all conscience. However, completeness and accuracy cannot be guaranteed. Demke recommends to fully test the product in its determined application. Due to permanent improvements to our products, we reserve the right to change specifications at any time and without prior notification and without obligation to update products already supplied. This is a component for professional equipment manufacturers. Read the safety and installation instruction for proper use. Safety aspect and EMC-aspect must be considered in the end application.

151DH-13.8-ON

280 Watt, non isolated, single output buck converter

MECHANICAL parameter

| parameter | unit | |
|--------------------|------|----------|
| Overall dimensions | mm | 90x90x26 |
| Weight | g | 360 |

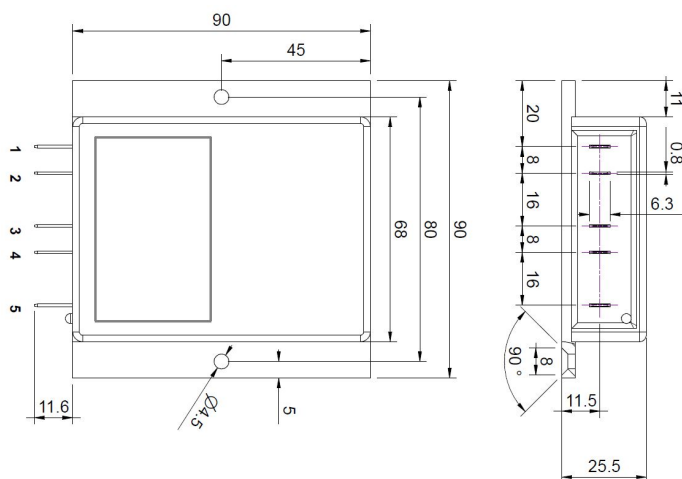
| Pin No. | Function | Electrical Determination |
|---------|----------|--------------------------|
| 1 | On | Enable |
| 2 | Vi+ | Input voltage positive |
| 3 | Vi- | Input voltage negative |
| 4 | Vo- | Output voltage negative |
| 5 | Vo+ | Output voltage positive |

Mechanical dimensions and Pin configuration

All dimensions in mm

Connector type: Flat pin plug 6.3mm

Case: FMC 90x90x26



All technical and general information is provided in all conscience. However, completeness and accuracy cannot be guaranteed. Demke recommends to fully test the product in its determined application. Due to permanent improvements to our products, we reserve the right to change specifications at any time and without prior notification and without obligation to update products already supplied. This is a component for professional equipment manufacturers. Read the safety and installation instruction for proper use. Safety aspect and EMC-aspect must be considered in the end application.