

## 729L-24-SD

450 Watt, isolated, single output buck-boost converter with internal decoupling diode

All parameters defined on  $T_a=25^{\circ}\text{C}$ ,  $I_{oNom} = 18.5 \text{ ADC}$  and  $U_{iNom} = 14\text{VDC}$

### ABSOLUTE MAXIMUM RATINGS

parameter	unit	typ
Input peak voltage	VDC	18.00

### THERMAL CHARACTERISTICS

parameter	min to max	typ
Ambient temperature range	$-40^{\circ}\text{C} / +85^{\circ}\text{C}$	
Max. case temperature for thermal shut down [ $^{\circ}\text{C}$ ]		$+90^{\circ}\text{C}$
Storage temperature [device not in operation]	$-10^{\circ}\text{C} / +65^{\circ}\text{C}$	
Relative maximum humidity under storage		75% RH
Storage under worst conditions [in days]		25

### COMMUNICATION INTERFACE

parameter	unit	fulfilled	conditions	min to max
Option shut down [left open for operation]		✓		
Shutdown voltage for transformer	VDC		$I_{oNom}$	-0.2 to 2.8

### SPECIALS

parameter	unit	fulfilled	conditions	typ
Switching frequency	kHz			130
Efficiency at light loads	%		$0.25I_{oNom}$	93.00
Efficiency at medium loads	%		$0.5I_{oNom}$	94.00
Efficiency at full loads	%		$I_{oNom}$	91.00
For active loads or parallel connection		✓		
Drives high capacitive loads		✓		
CC/CV battery load characteristic		✓		
Coupling capacitance input to output	nF			transformer winding only
Insulation strength primary to secondary	VDC			2100
Insulation strength primary to case	VDC			2100

### COMPLIANCE

parameter	fulfilled	notes
61000-6-2 [EMC-Immunity standard for industrial environment]	✓	
61000-4-2 [immunity against ESD-electrostatic discharge]	✓	
61000-4-3 [immunity High frequency electromagnetic fields]	✓	
61000-4-4 [immunity against burst - electrical fast transients]	✓	
61000-4-5 [immunity against surge - high energy surges]	✓	
61000-4-6 [immunity against induced, conducted disturbances]	✓	
61000-6-4 [EMC - Emission standard for industrial environment]	✓	
55022<A	✓	

All technical and general information is provided in all conscience. However, completeness and accuracy cannot be guaranteed. Demke recommends to fully test the product in its determined application. Due to permanent improvements to our products, we reserve the right to change specifications at any time and without prior notification and without obligation to update products already supplied. This is a component for professional equipment manufacturers. Read the safety and installation instruction for proper use. Safety aspect and EMC-aspect must be considered in the end application.

## 729L-24-SD

450 Watt, isolated, single output buck-boost converter with internal decoupling diode

### INPUT

parameter	unit	conditions	min	typ	max
Input voltage range	VDC	IoNom	9	14	16
No load input current	mA	UiNom		190	
Max. input current	A	UiNom		50	
Input start up voltage	VDC	UiNom		10.0	
Undervoltage lockout	VDC	UiNom		9.0	
Input quiescent current in shutdown mode	mA	UiNom		3.00	
Input current overshoot during soft start ramp up	%	IoNom		20	
Input capacitor load peak current at initial switch on	A	UiNom		10	
Generated AC-ripple on the supply [BW=20MHz]	mVp-p	UiNom/loNom		40	
Generated HF-noise on the supply [BW=20MHz]	mVp-p	UiNom/loNom		20	

### OUTPUT

parameter	unit	conditions	min	typ	max
Output voltage	VDC	IoNom		24.0	
No Load output voltage increase	%	UiNom		6	
Minimum required load to obtain the specified output voltage	%	UiNom		6	
Generated AC-ripple on the output [BW=20MHz]	mVp-p	UiNom/loNom		25	
Generated HF-noise on the output [BW=20MHz]	mVp-p	UiNom/loNom		10	
Output voltage accuracy	%	IoNom		+/-2.00%	
Output voltage overshoot at initial switch-on	%	IoNom		overdamped	
Rated output power	W			450	

### CONTROL

parameter	unit	conditions	min	typ	max
Static line regulation	%	IoNom/UiMin...UiMax		0.13	
Static load regulation	%	IoMin...IoMax/UiNom		5.0	
Dynamic load change adjusting time	ms	LoadChange 10...90%		2 000.00	
Dynamic load change deviation to nominal output voltage	V	LoadChange 10...90%		0.50	
Maximum admissible capacitive load	uF	IoNom		infinite	
Initial switch on time	ms	IoNom		280	
Softstart ramp up time	ms	IoNom		40	

All technical and general information is provided in all conscience. However, completeness and accuracy cannot be guaranteed. Demke recommends to fully test the product in its determined application. Due to permanent improvements to our products, we reserve the right to change specifications at any time and without prior notification and without obligation to update products already supplied. This is a component for professional equipment manufacturers. Read the safety and installation instruction for proper use. Safety aspect and EMC-aspect must be considered in the end application.

## 729L-24-SD

450 Watt, isolated, single output buck-boost converter with internal decoupling diode

### MECHANICAL parameter

parameter	unit	
Overall dimensions	mm	130x130x28
Weight	g	900

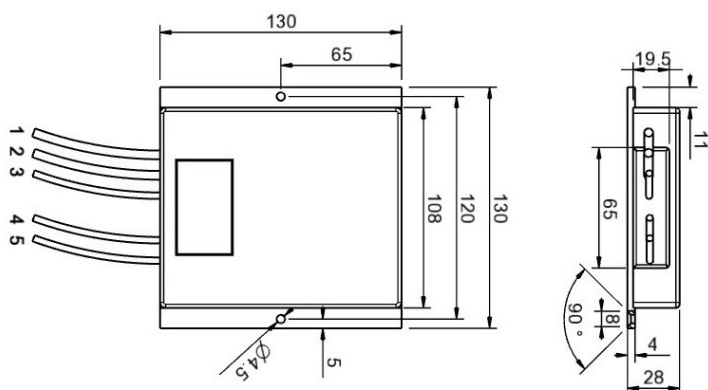
Pin No.	Function	Electrical Determination	Colour	Cross-Section	Cable length
1	Vi+	Input voltage positive	red	6 mm <sup>2</sup>	300 mm
2	Vi-	Input voltage negative	brown	6 mm <sup>2</sup>	300 mm
3	SD	Shut down	blue	1,5 mm <sup>2</sup>	300 mm
4	Vo-	Output voltage negative	black	6 mm <sup>2</sup>	300 mm
5	Vo+	Output voltage positive	red	6 mm <sup>2</sup>	300 mm

### Mechanical dimensions and Pin configuration

All dimensions in mm

Connector type: cable

Case: FMC 130x130x28



All technical and general information is provided in all conscience. However, completeness and accuracy cannot be guaranteed. Demke recommends to fully test the product in its determined application. Due to permanent improvements to our products, we reserve the right to change specifications at any time and without prior notification and without obligation to update products already supplied. This is a component for professional equipment manufacturers. Read the safety and installation instruction for proper use. Safety aspect and EMC-aspect must be considered in the end application.