

Master-15X.xx

300 Watt, non isolated, single output buck converter
All parameters defined on $T_a=25^{\circ}\text{C}$, $I_{oNom} = 20.0\text{ ADC}$ and $U_{iNom} = 48\text{VDC}$

ABSOLUTE MAXIMUM RATINGS

parameter	unit	typ
Input peak voltage	VDC	125.00

THERMAL CHARACTERISTICS

parameter	min to max	typ
Ambient temperature range	$-40^{\circ}\text{C} / +85^{\circ}\text{C}$	

COMMUNICATION INTERFACE

parameter	unit	fulfilled	min to max
Option Enable [connect to Vin for operation]		✓	

SPECIALS

parameter	unit	conditions	typ
Efficiency at medium loads	%	$0.5I_{oNom}$	95.00
Efficiency at full loads	%	I_{oNom}	95.00

All technical and general information is provided in all conscience. However, completeness and accuracy cannot be guaranteed. Demke recommends to fully test the product in its determined application. Due to permanent improvements to our products, we reserve the right to change specifications at any time and without prior notification and without obligation to update products already supplied. This is a component for professional equipment manufacturers. Read the safety and installation instruction for proper use. Safety aspect and EMC-aspect must be considered in the end application.

Master-15X.xx

300 Watt, non isolated, single output buck converter

INPUT

parameter	unit	conditions	min	typ	max
Input voltage range	VDC	IoNom	16	48	100

OUTPUT

parameter	unit	conditions	min	typ	max
Output voltage	VDC	IoNom		13.8	
Minimum required load to obtain the specified output voltage	%	UiNom		0	
Output voltage overshoot at initial switch-on	%	IoNom		overdamped	
Rated output power	W			300	

All technical and general information is provided in all conscience. However, completeness and accuracy cannot be guaranteed. Demke recommends to fully test the product in its determined application. Due to permanent improvements to our products, we reserve the right to change specifications at any time and without prior notification and without obligation to update products already supplied. This is a component for professional equipment manufacturers. Read the safety and installation instruction for proper use. Safety aspect and EMC-aspect must be considered in the end application.

Master-15X.xx

300 Watt, non isolated, single output buck converter

MECHANICAL

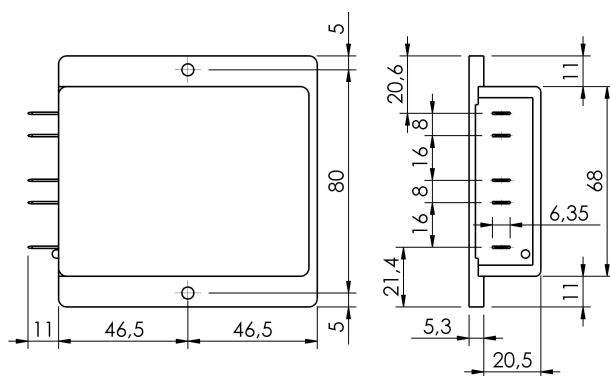
parameter	unit	
Overall dimensions	mm	90x90x26
Weight	g	335

Mechanical dimensions and Pin configuration

All dimensions in mm

Connector type: Flat pin plug 6.3mm

Case: FMC 90x90x26



All technical and general information is provided in all conscience. However, completeness and accuracy cannot be guaranteed. Demke recommends to fully test the product in its determined application. Due to permanent improvements to our products, we reserve the right to change specifications at any time and without prior notification and without obligation to update products already supplied. This is a component for professional equipment manufacturers. Read the safety and installation instruction for proper use. Safety aspect and EMC-aspect must be considered in the end application.